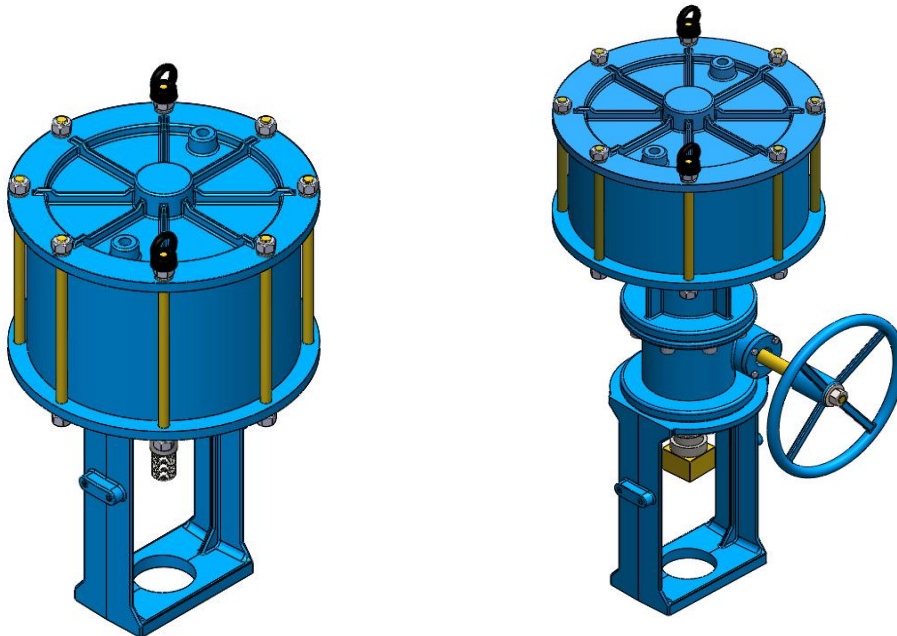


Piston Cylinder Actuator

Introducing Model SS-PCDA are double acting piston cylinder actuators. This is a linear actuator type, ideal for for Globe control valves, Gate valves, and other linear

- Optimal design giving maximum thrust to weight ratio
- Actuator design is verified by FEM techniques
- Long trouble free operation assured by PTFE guiding ring
- Minimum 'Friction loss' for long period of operation
- User friendly assembly especially for maintenance activities

Model SS-PCDA

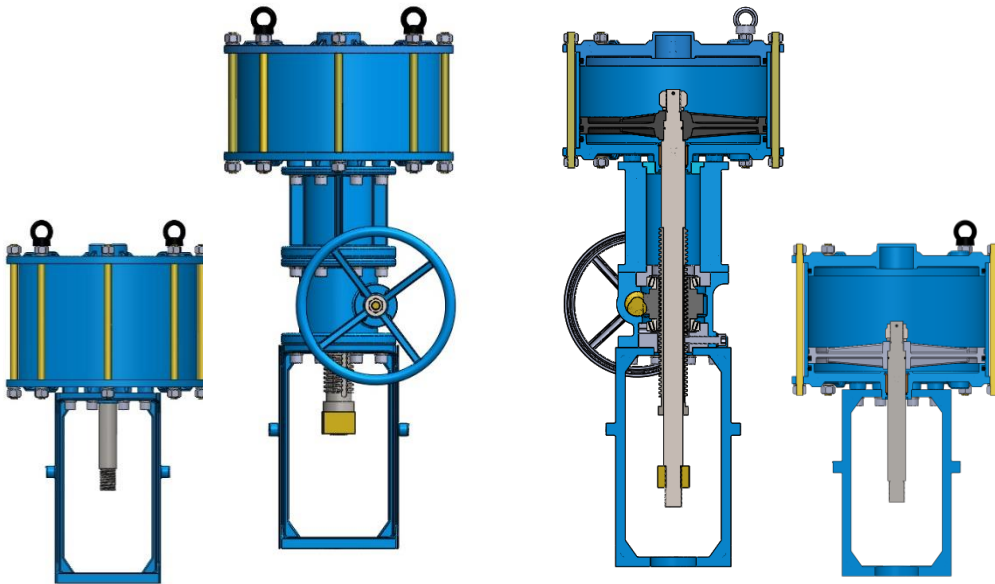


Specifications

MATERIAL OF CONSTRUCTION	
Column2	Column1
Item	Material
Cylinder	Carbon steel seamless pipe honed ,hard chrome plated
End covers	Ductile iron
Yoke	Ductile iron
Seals: Piston, End cover, Piston rod	Nitrile. -20 C to 80 C Viton. -20 C to 180 C EPDM. -40 C to 140 c
Guiding Ring	PTFE
Piston Rod	Stainless Steel grade 410

Piston Cylinder Actuator

OTHER SPECIFICATIONS	
Column2	Column1
Maximum operating pressure	10 bar
Minimum operating pressure	0.3 bar
Tube connection	For cylinder size up to 8" (200mm)- 1/4" NPT (F) For larger sizes- 1/2" NPT (F) Special connections as per client specific needs offered
Actuator thrust	As per table 1
Travel	As per table 1
Manual override	Yes provided on request
End Cushions	Yes provided on request



ACTUATOR THRUST in N														
Actuator Bore. (approximate)		Maximum travel*		Effective Piston Area		Thrust delivered(in N) at various supply pressure (in Bar)**								
Size in Inches	MM	Inches	MM2	in Sq. Inches	in Sq. MM	2	3	4	5	6	7	8	9	10
4"	104	4	104	13.2	8491	1528	2292	3057	3821	4585	5349	6113	6877	7642
6"	155	6	155	29.2	18860	3395	5092	6789	8487	10184	11882	13579	15276	16974
8"	205	8	210	51.1	32990	5938	8907	11876	14845	17814	20783	23753	26722	29691
10"	255	8	210	79.1	51045	9188	13782	18376	22970	27564	32158	36752	41346	45940
12"	305	8	210	113.2	73025	13144	19717	26289	32861	39433	46006	52578	59150	65722
14"	335	10	255	136.6	88097	15857	23786	31715	39643	47572	55501	63430	71358	79287
16"	390	10	255	185.1	119399	21492	32238	42983	53729	64475	75221	85967	96713	107459
18"	440	10	255	235.6	151976	27356	41034	54711	68389	82067	95745	109423	123101	136778
20"	485	12	305	286.2	184652	33237	49856	66475	83093	99712	116331	132949	149568	166186
24"	590	14	356	423.6	273259	49187	73780	98373	122966	147560	172153	196746	221339	245933

Note:1 Other travel as per client is available

Note:2 Thrust given are at actuator static condition. For dynamic thrust calculation consult SMS Technologies